

SL-T0603IRC020-L55

DATA SHEET

SPEC. NO. : SZ20050901
DATE : 2020/10/22
REV. : A/2

Approved By:

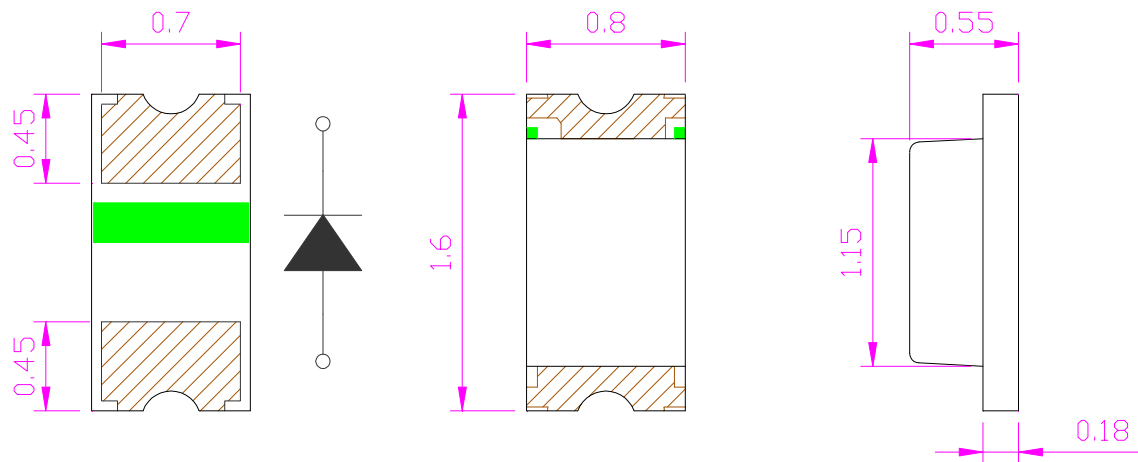
Checked By:

Prepared By:

Features

- Pb free product—RoHS compliant
- Low power consumption, High efficiency
- Reliable and rugged
- Long life – solid state reliability
- Good spectral matching to Si photo detector

Package Dimension



| Part NO. | Chip Material | Lens Color |
|--------------------|---------------|-------------|
| SL-T0603IRC020-L55 | AlGaAs | Water Clear |

Notes:

1. All dimensions are in millimeters.
2. Tolerance is ± 0.10 mm unless otherwise noted.
3. Specifications are subject to change without notice.



Typical Electrical / Optical Characteristics Curves
(25°C Ambient Temperature Unless Otherwise Noted)

Infrared Emitting Diode Specification

●Commodity: Infrared Emitting Diode



●Radiant Intensity Bin Code (At 20mA)

| BIN CODE | Min.(mW/sr) | Max. (mW/sr) |
|----------|-------------|--------------|
| 15 | 1.3 | 1.55 |
| 16 | 1.55 | 1.85 |
| 17 | 1.85 | 2.2 |
| 18 | 2.2 | 2.6 |
| ... | ... | ... |



NOTE: The Ie guarantee should be added $\pm 15\%$ tolerance.

Label Explanation

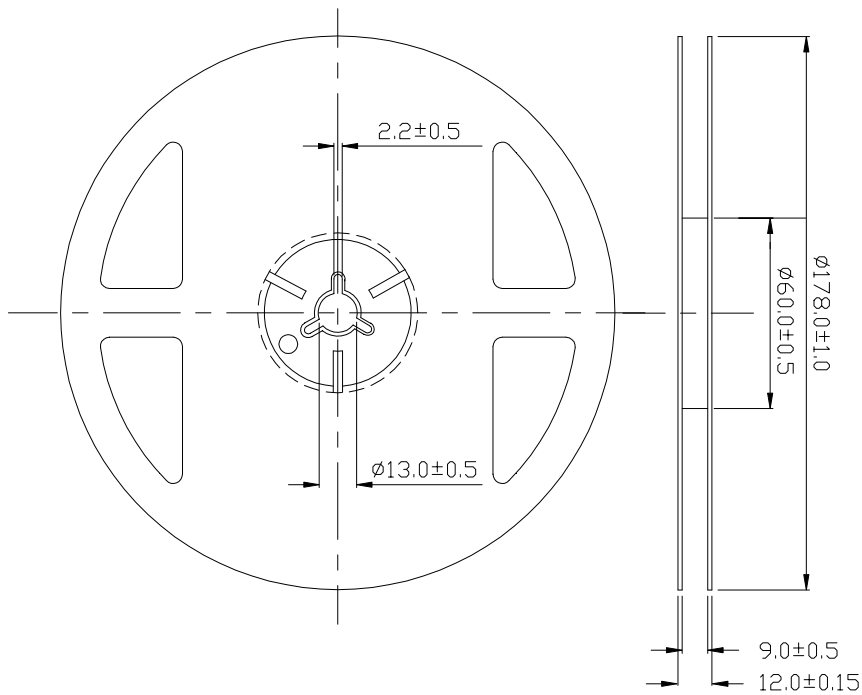
LIGHT Universal Label
(Reel Label)

| | | |
|-----------------------------|--|---|
| LIGHT | |  |
| Light Electronics CO., LTD. | | |
| MODEL NAME: _____ |  LOT NO. : _____ | |
| QUANTITY: _____ | | |
| BIN: _____ | | |
| PACKING DATE: _____ | | |
| REMARKS: _____ | | |

Customer Defined Label
(Aluminum Moisture Proof Bag Label)

| | | |
|-----------------------------|--|---|
| LIGHT | |  |
| Light Electronics CO., LTD. | | |
| MODEL NAME: _____ |  LOT NO. : _____ | |
| QUANTITY: _____ | | |
| BIN: _____ | | |
| PACKING DATE: _____ | | |
| CUSTOMER P/N: _____ | | |

Reel Dimensions



Note: Tolerance unless mentioned is ± 0.2 mm; Unit = mm

