

LG-ITR2C-554624

DATA SHEET

SPEC.NO.: SZ19060410
DATE: 2019/06/04
REV. A/0

Approved By:

Checked By:

Prepared By:

■ Features

- Fast response time
- High analytic
Cut-off visible wavelength $\lambda_c=940\text{nm}$
- High sensitivity
- Pb free
- The product itself will remain within RoHS compliant version

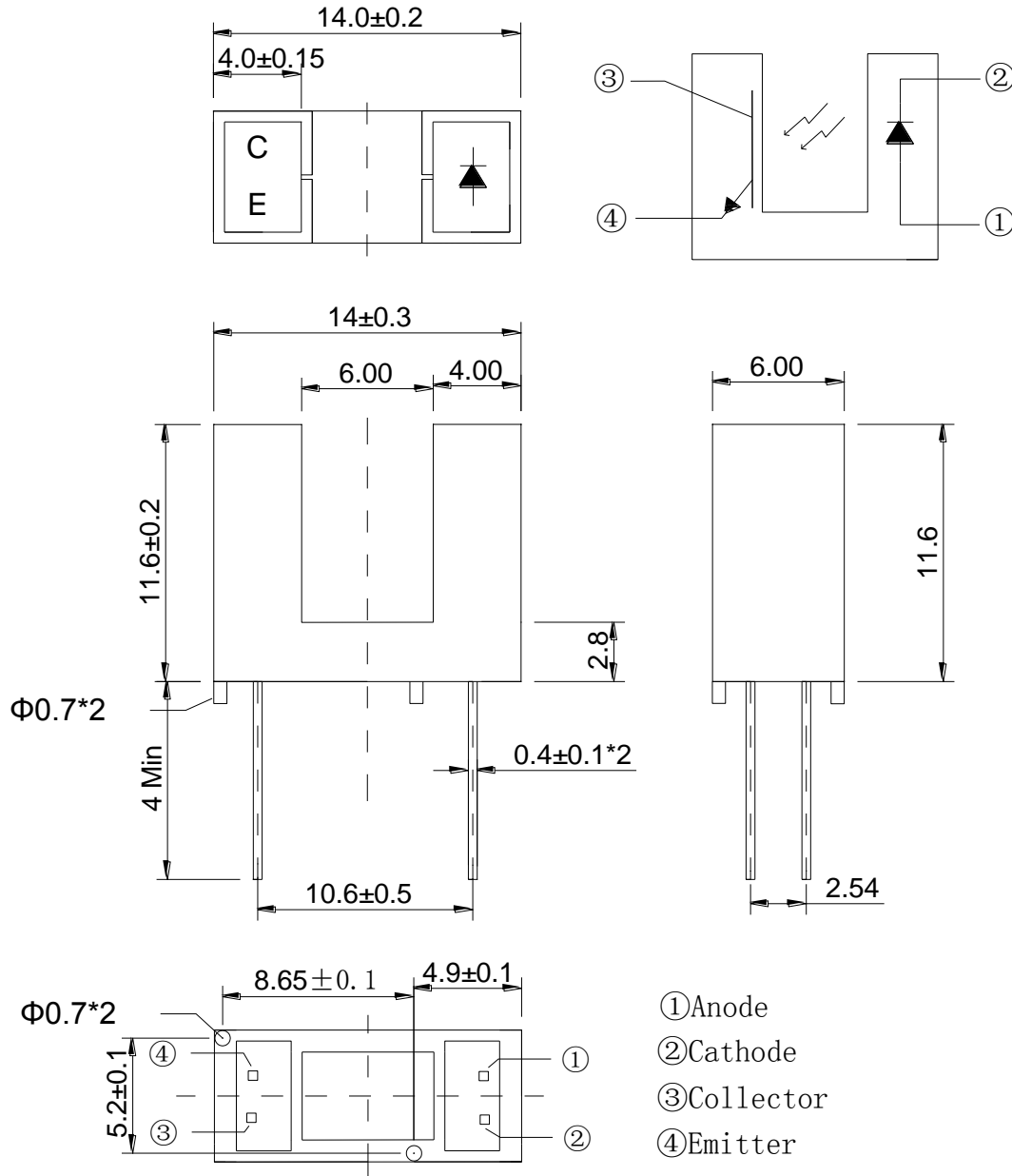
LG-ITR2C-554624

- Mouse Copier
- Switch Scanner
- Floppy disk driver
- Non-contact Switching
- For Direct Board

■ Device Selection Guide

Device No.	Chip Material	LENS COLOR
IR	GaAlAs	Water Clear
PT	Silicon	Water Clear

Package Dimensions



Notes:

1. All dimensions are in millimeters.
2. Tolerance is ± 0.20 mm unless otherwise noted.
3. Lead spacing is measured where the leads emerge from the package.

Absolute Maximum Ratings (Ta=25°C)

Parameter		Symbol Ratings	Unit	
Input	Power Dissipation at(or below) 25°C Free Air Temperature	Pd	75	mW
	Reverse Voltage	VR	5	V
	Forward Current	IF	50	mA
	Peak Forward Current (*1) Pulse width ≤ 100μs, Duty cycle=1%	IFP	1	A
	Collector Power Dissipation	PC	100	mW
Output	Collector Current	IC	50	mA
	Collector-Emitter Voltage	B VCEO	30	V
	Emitter-Collector Voltage	B VECO	5	V
	Operating Temperature	Topr	-20~+65	°C
Storage Temperature	Tstg	-30~+70	°C	
Lead Soldering Temperature (*2) (1/16 inch form body for 5 seconds)	Tsol	260	°C	

(*1) $t_w=100 \mu\text{sec.}$, $T=10 \text{ msec.}$ (*2) $t=5 \text{ Sec}$

Electro-Optical Characteristics (Ta=25°C)

Parameter		Symbol	Min.	Typ.	Max.	Unit	Conditions
Input	Forward Voltage	VF	---	1.2	1.5	V	IF=20mA
	Reverse Current	IR	---	---	10	A	VR=5V
	Peak Wavelength	P	---	940	---	nm	IF=20mA
Output	Dark Current	ICEO	---	---	100	nA	VCE=20V, Ee=0mW/cm ²
	C-E Saturation Voltage	VCE(sat)	---	---	0.4	V	IC=2mA, Ee=1mW/cm ²
Transfer Characteristics	Collect Current	IC(ON)	0.5	---	---	mA	VCE=5V IF=20mA
	Rise time	tr	---	15	---	sec	VCE=5V IC=1mA RL=1K
	Fall time	tf	---	15	---	sec	

