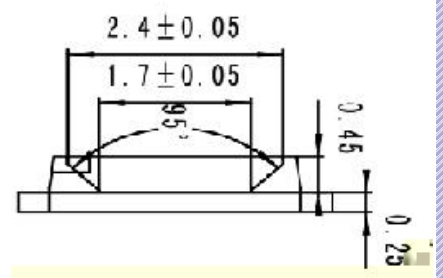
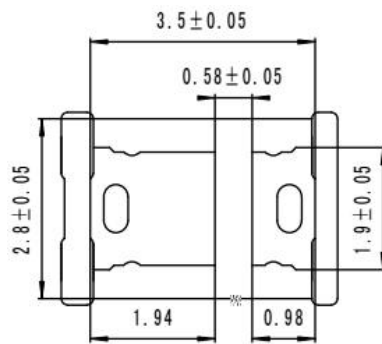
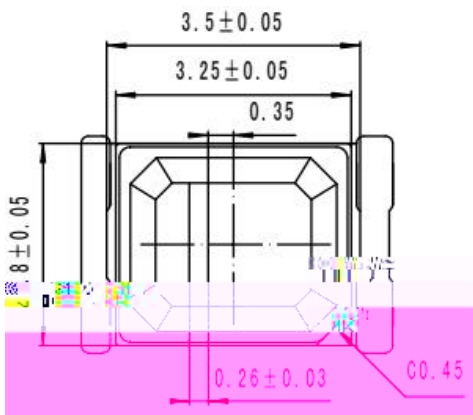
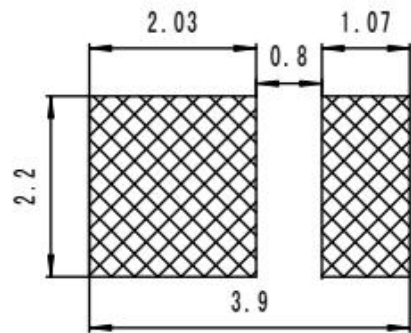




SHENZHEN LIGHT ELECTRONICS CO., LTD

.....  
\_\_\_\_\_  
.....  
\_\_\_\_\_  
.....  
SL-T2835P01-V1A5  
\_\_\_\_\_  
.....  
\_\_\_\_\_  
.....

Client approval			approval		
Approved	Checked	Audit	Approved	Checked	Prepared
Qualified		Disqualified			



( )

( )



SHENZHEN LIGHT ELECTRONICS CO., LTD

2835							

( )



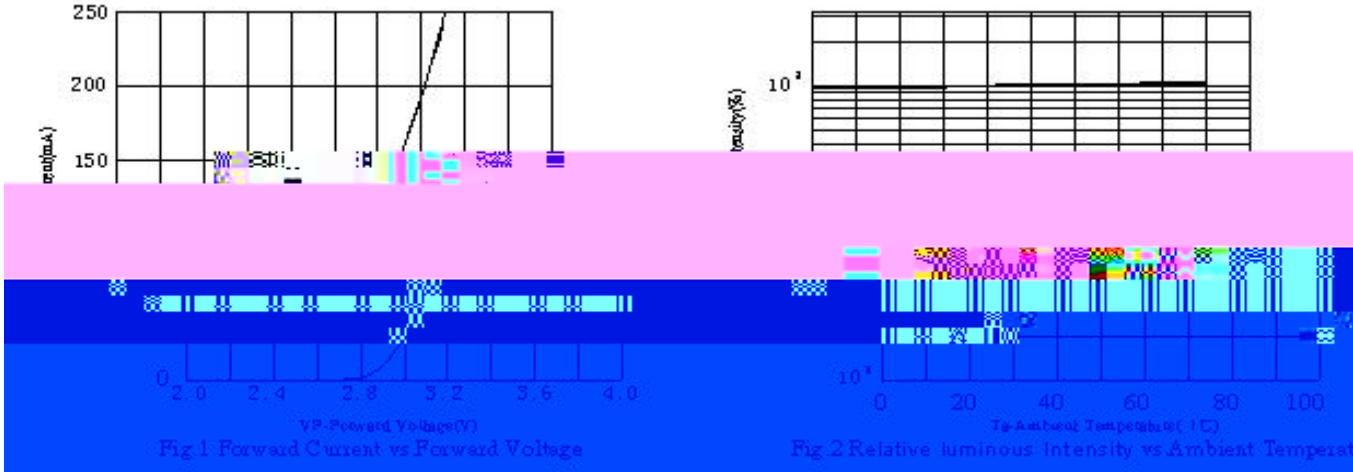
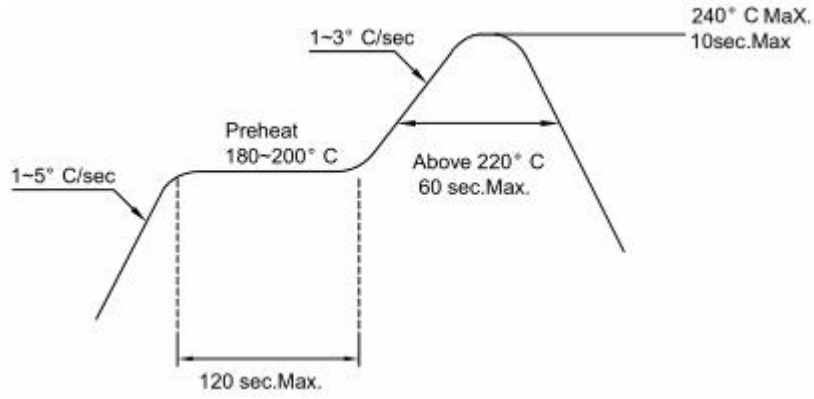


Fig.1 Forward Current vs Forward Voltage

Fig.2 Relative luminous intensity vs Ambient Temperature



## &Repairing

10s

220

240



70 /6-8H

LED 150 /3H

±

3

70 &6-8

# LIGHT

# A O b b b

SHENZHEN LI G... ELECTRONICS CO., LTD

W 2

LED

LED

100PPM



**LIGHT<sup>®</sup>**

