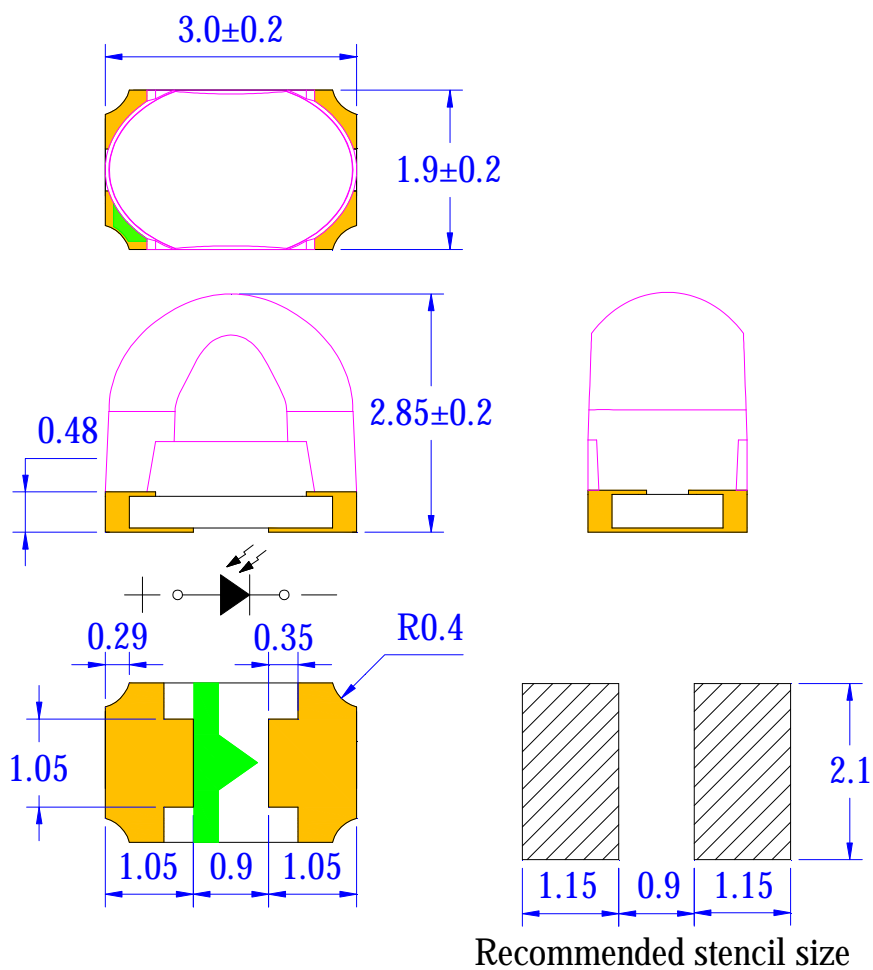


Features

- Pb free product—RoHS compliant
- High Photo Sensitivity
- Reliable and rugged
- Long life – solid state reliability
- Sensitivity angle: 90°

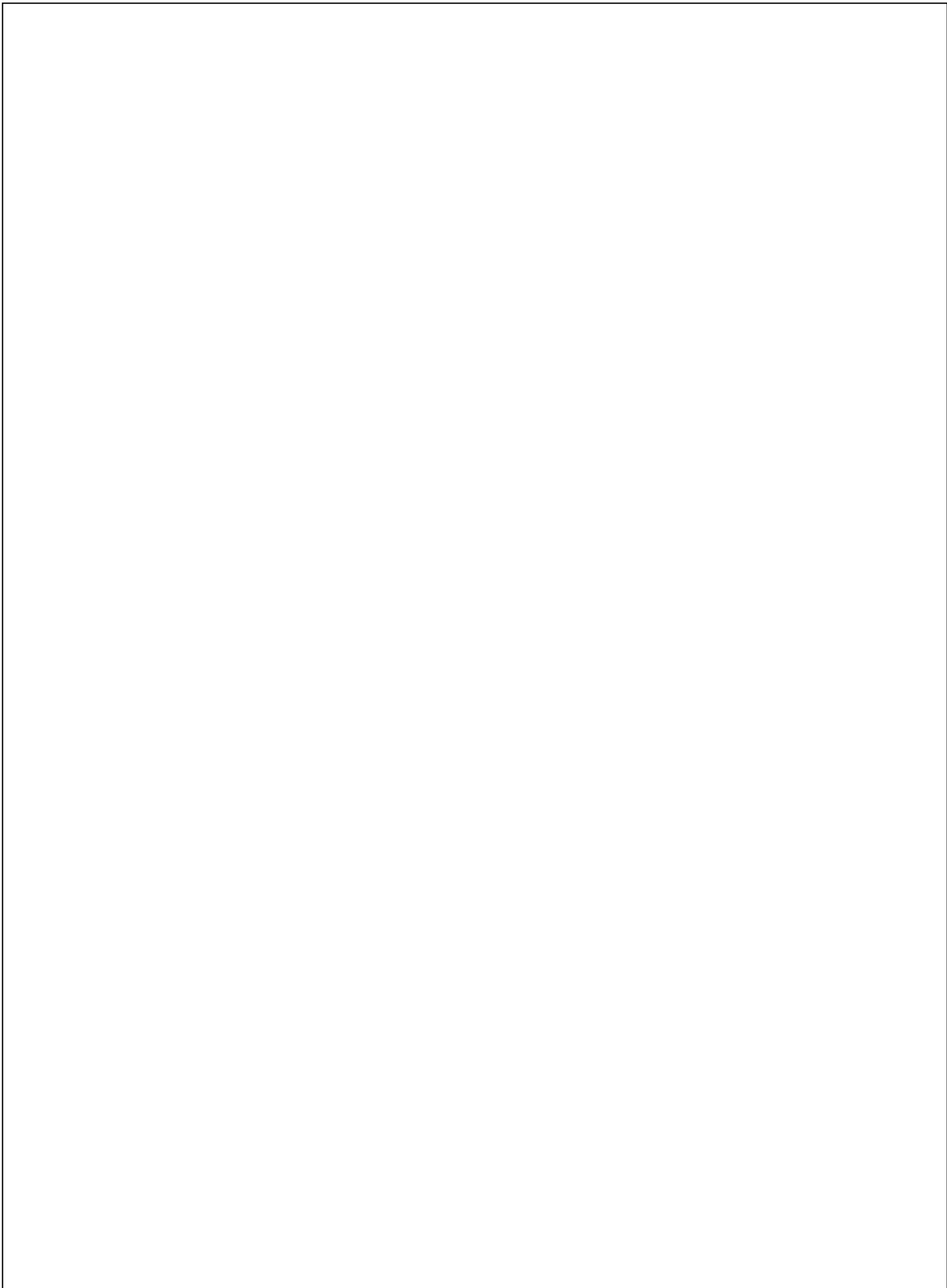
Package Dimension



| Part NO. | Chip Material | Lens Color |
|-------------------------|---------------|------------|
| SL-T3020PDB020-L285-E-S | Silicon | Black |

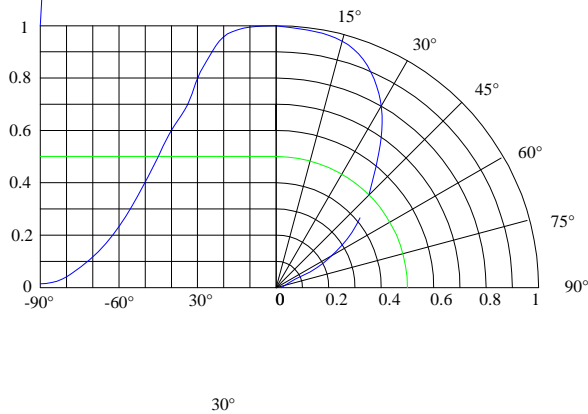
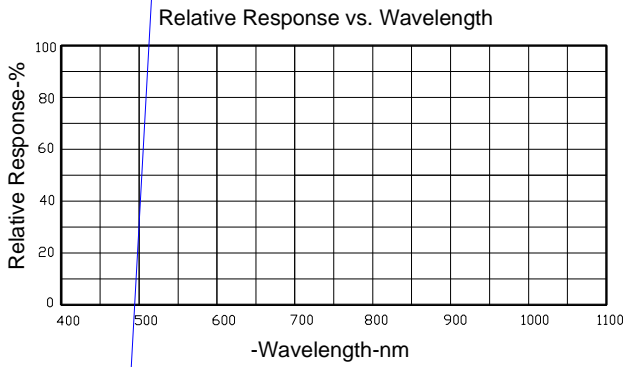
Notes:

1. All dimensions are in millimeters.
2. Tolerance is ± 0.10 mm unless otherwise noted.
3. Specifications are subject to change without notice.





Typical Electrical / Optical Characteristics Curves (25 Ambient Temperature Unless Otherwise Noted)



Reverse Light Current(I_L) Bin Code ($V_R=5V$, $E_e=1mW/cm^2$)

| BIN CODE | Min.(A) | Max.(A) |
|----------|----------|----------|
| 29 | 15.5 | 18.5 |
| 30 | 18.5 | 22 |
| 31 | 22 | 26 |

NOTE: The I_L guarantee should be added $\pm 15\%$ tolerance.

Carrier Tape Specifications (Loaded Quantity: 5000pcs/reel)

Note: Tolerance unless mentioned is ± 0.1 mm; Unit = mm

Moisture Resistant Packaging

