

LG-T2727RGBA-TD-A

SPEC.NO. : SZ19081205
DATE : 2020/05/07
REV. : A/1

Approved By:

Checked By:

Prepared By:

LIGHT

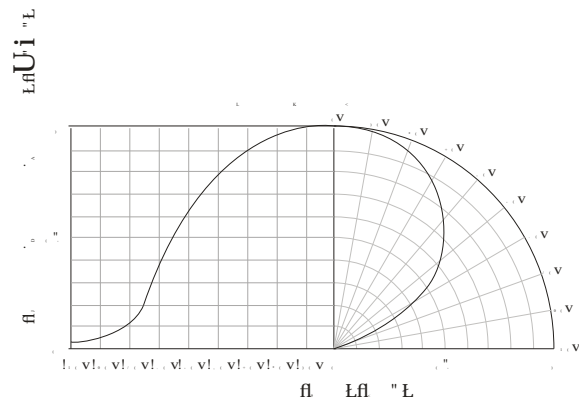
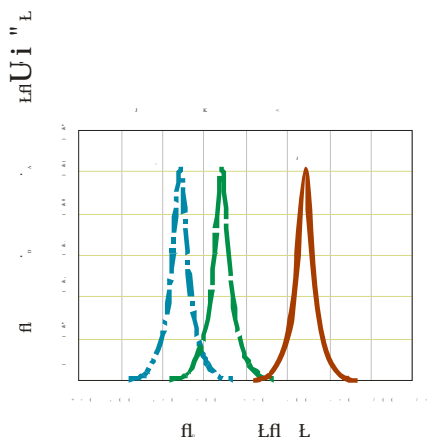
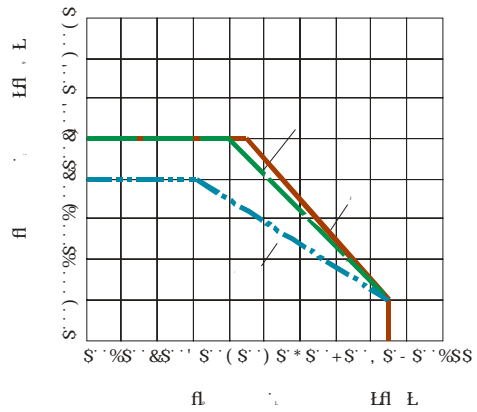
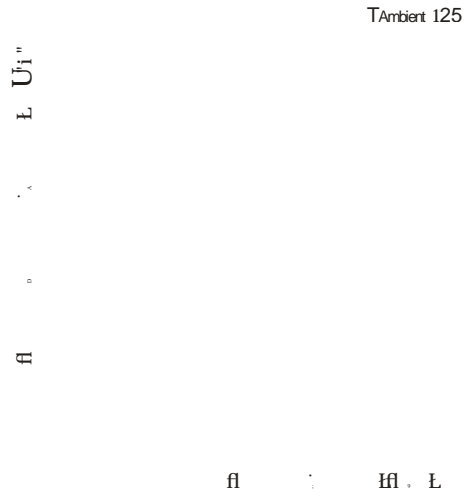
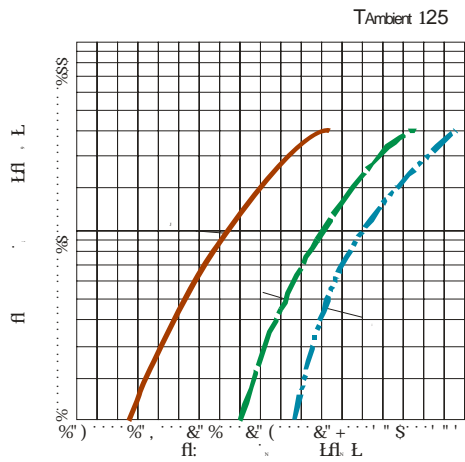


LG-T2727RGBA-TD-A

TOP Full-color LED

LIGHT

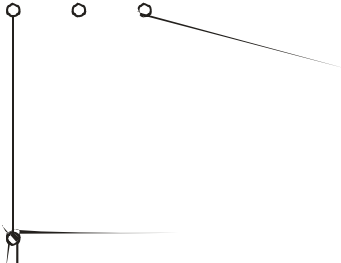
Typical Characteristics Curves



1

Packaging (1)

◇ Carrier Tape



◇ Details Of Carrier Tape



◇ Reel Dimension



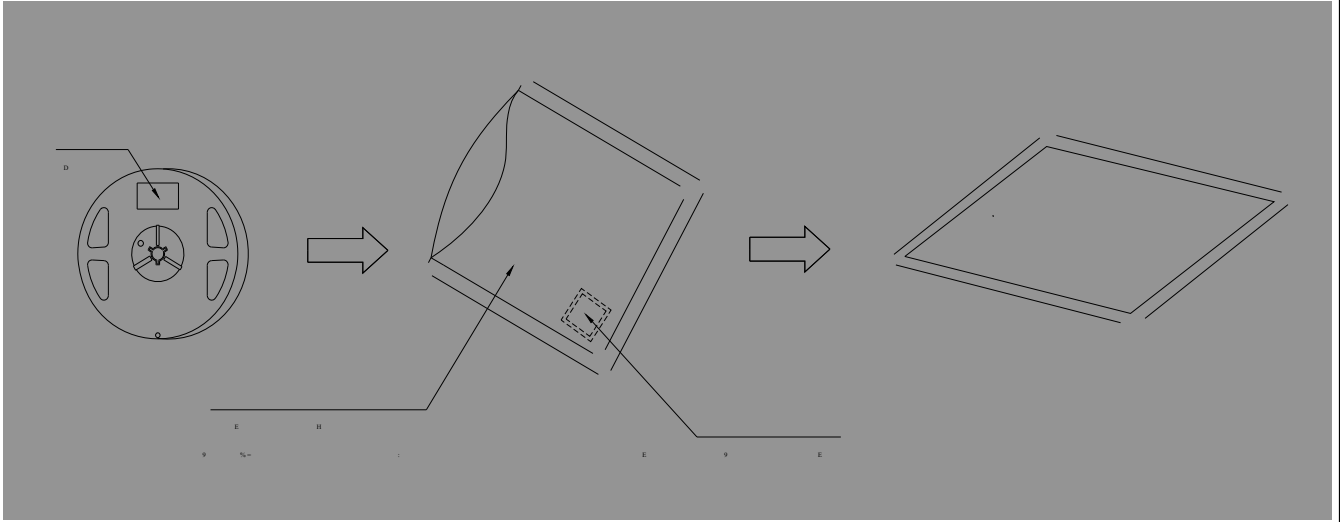
D

2

Packaging(2)



· Moisture Proof and Anti-Electrostatic Foil Bag



· Cardboard Box



· Label Explanation

2

Guideline for Soldering (2)

X ·

X · j

&

X ·

D - <

X · k

D - <

&

(1)

Precautions (1)

1.

Storage

- E %
&
&
- 4 + (4 . (J
K 2 9 4 + (K E L &
4 . (J
- A H
- 4 + (4 . (J) *
4 + (4 . (J & M
K E < D - <) * &
- / (- y) *
/ (- y *
/ (- y . 0
0 * 2 / (-) *
9 * 2 / (- *
< 2 / (- . 0

2.

Static Electricity

- K D - < & < D - <
D - < & A
% K E < D - < &
- 9 &
- A %
D - < &

(2)

Precautions (2)

3.

Design Consideration

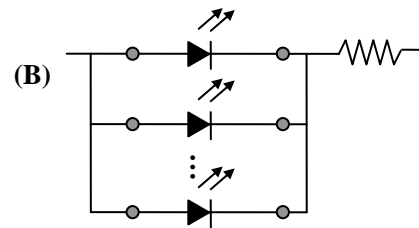
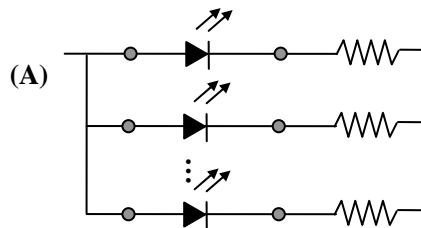
- When the LED is connected to the power supply, the current flowing through the LED is limited by the resistor. The resistor value should be determined based on the LED's forward voltage and current. The resistor value should be calculated as follows:

$$R = \frac{V_{in} - V_{LED}}{I_{LED}}$$

where V_{in} is the input voltage, V_{LED} is the LED forward voltage, and I_{LED} is the LED forward current.
- The LED should be connected to the power supply through a resistor. The resistor value should be determined based on the LED's forward voltage and current. The resistor value should be calculated as follows:

$$R = \frac{V_{in} - V_{LED}}{I_{LED}}$$

where V_{in} is the input voltage, V_{LED} is the LED forward voltage, and I_{LED} is the LED forward current.



- The LED should be connected to the power supply through a resistor. The resistor value should be determined based on the LED's forward voltage and current. The resistor value should be calculated as follows:

$$R = \frac{V_{in} - V_{LED}}{I_{LED}}$$

where V_{in} is the input voltage, V_{LED} is the LED forward voltage, and I_{LED} is the LED forward current.

4.

Reverse voltage protection

- When the LED is connected to the power supply, the current flowing through the LED is limited by the resistor. The resistor value should be determined based on the LED's forward voltage and current. The resistor value should be calculated as follows:

$$R = \frac{V_{in} - V_{LED}}{I_{LED}}$$

where V_{in} is the input voltage, V_{LED} is the LED forward voltage, and I_{LED} is the LED forward current.
- The LED should be connected to the power supply through a resistor. The resistor value should be determined based on the LED's forward voltage and current. The resistor value should be calculated as follows:

$$R = \frac{V_{in} - V_{LED}}{I_{LED}}$$

where V_{in} is the input voltage, V_{LED} is the LED forward voltage, and I_{LED} is the LED forward current.

(3)

Precautions (3)

5.

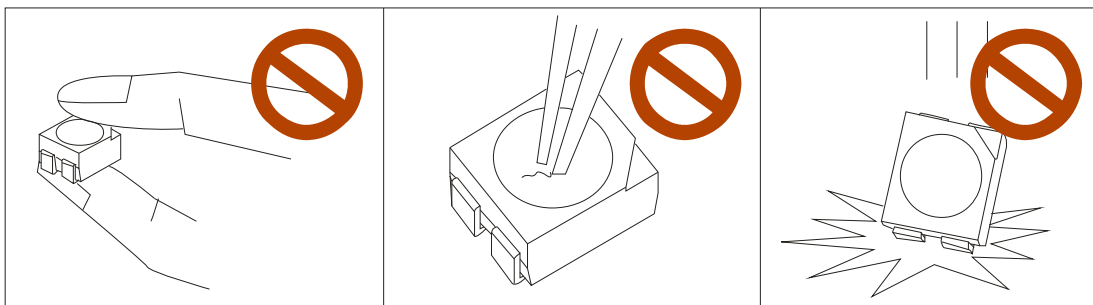
The safe temperature for LEDs working

-

6.

Others

-



-