

SL-T4234PTB120-L340

PHOTO TRANSISTOR

DATA SHEET

SPEC. NO. : SZ19081206
DATE : 2019/08/12
REV. : A/0

Approved By:

Checked By:

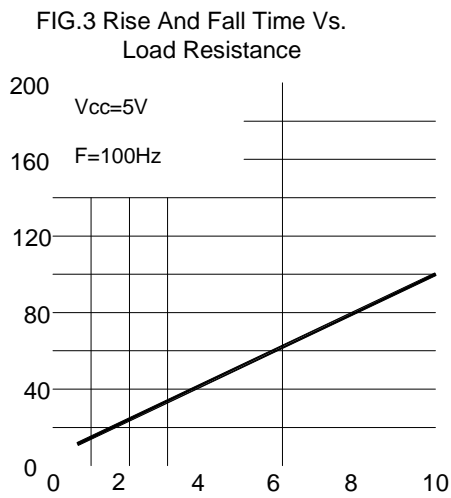
Prepared By:



Typical Electrical / Optical Characteristics Curves (25 Ambient Temperature Unless Otherwise Noted)



FIG.2 Power Dissipation Vs.
Ambient Temperature

Ambient Temperature-°C



Label Explanation

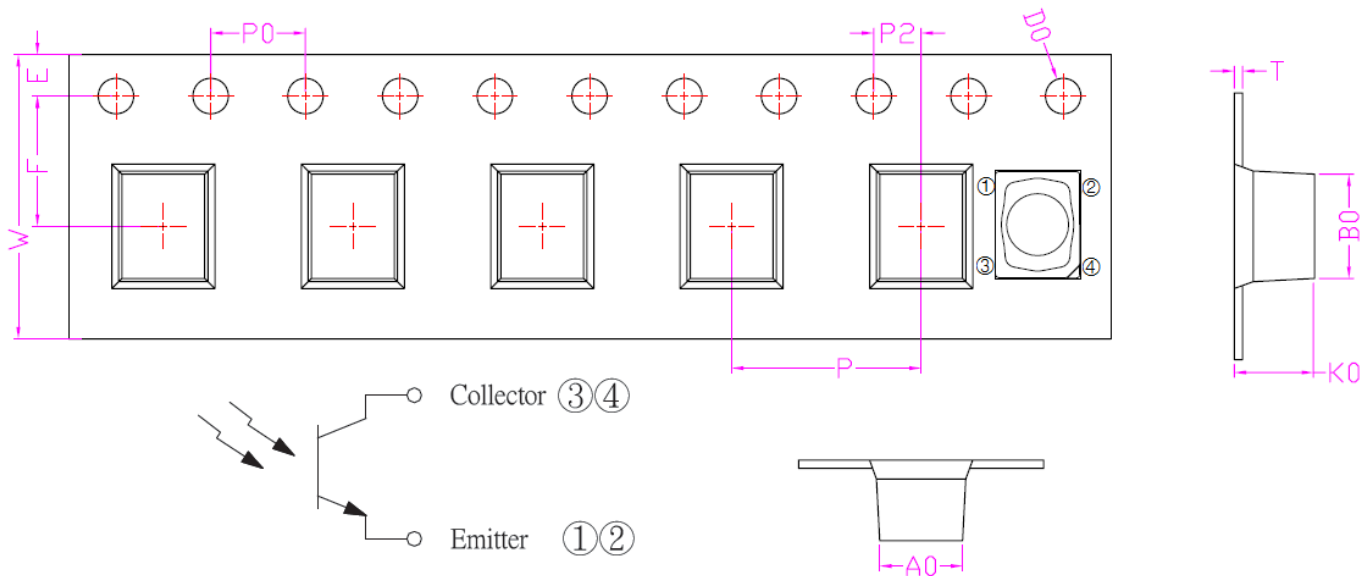
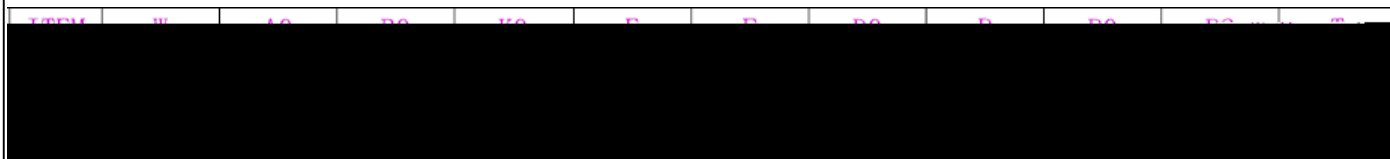
LIGHT Universal Label

LIGHT Light Electronics CO., LTD.	
MODEL NAME: _____	 LOT NO. :
QUANTITY: _____	
BIN _____	
PACKING DATE: _____	
REMARKS: _____	

Customer Defined Label



Carrier Tape Specifications (Loaded Quantity: 2200pcs/reel)



Note: Tolerance unless mentioned is $\pm 0.1\text{mm}$; Unit = mm

Moisture Resistant Packaging

