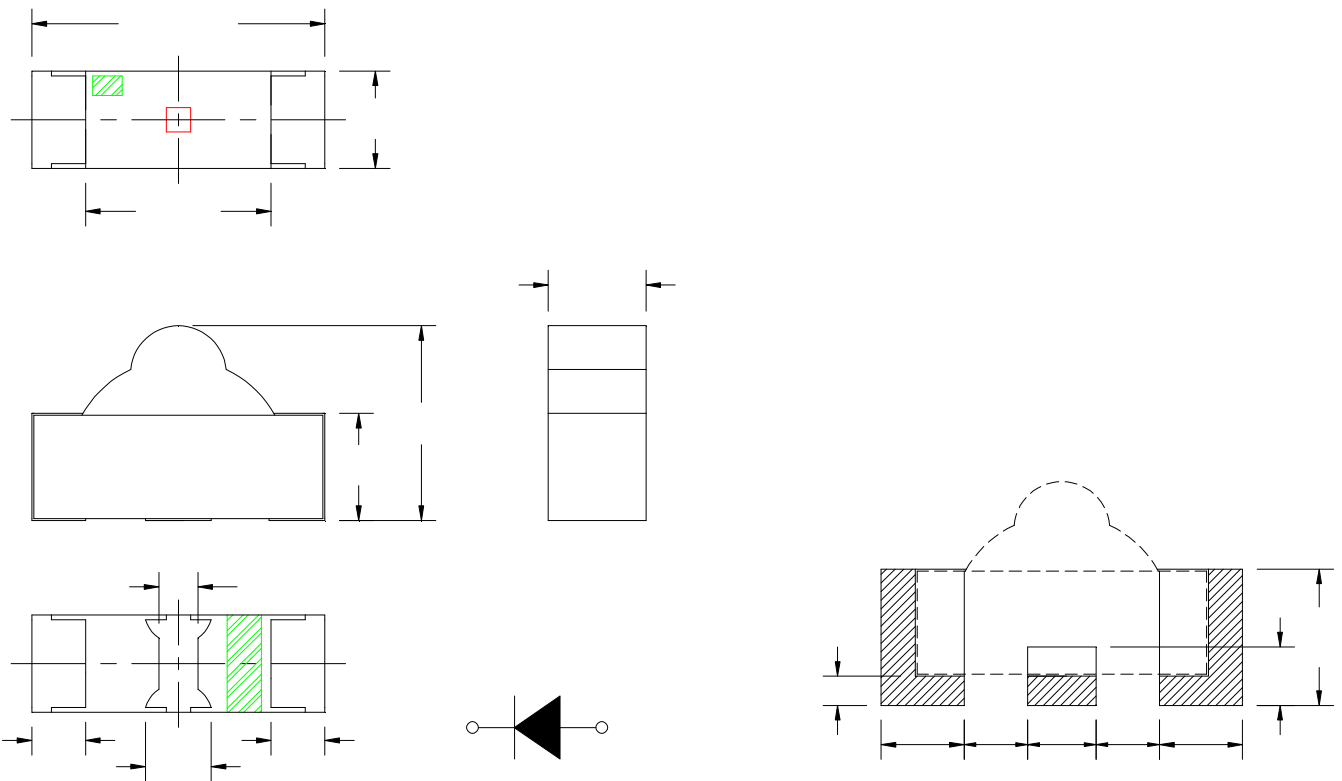


Pb free product—RoHS compliant  
 Low power consumption, High efficiency  
 Reliable and rugged  
 Long life – solid state reliability  
 Good spectral matching to Si photo detector



Part NO.	Chip Material	Lens Color
SL-T3010IRC020-L200-Q	AlGaAs	Water Clear

1. All dimensions are in millimeters.
2. Tolerance is 0.10mm unless otherwise noted.
3. Specifications are subject to change without notice.

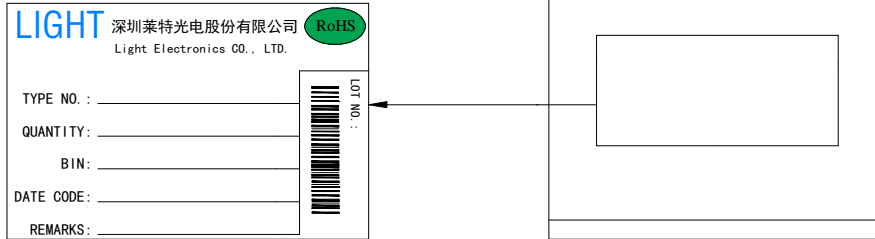
Parameter	MAX.	Unit
Power Dissipation	75	mW
Continuous Forward Current	30	mA
Peak Forward Current <sup>*3</sup>	100	mA
Reverse Voltage	5	V
Moisture Sensitivity Level <sup>*1</sup>	4	
Operating Temperature	-40 to + 85	
Storage Temperature	-40 to + 85	





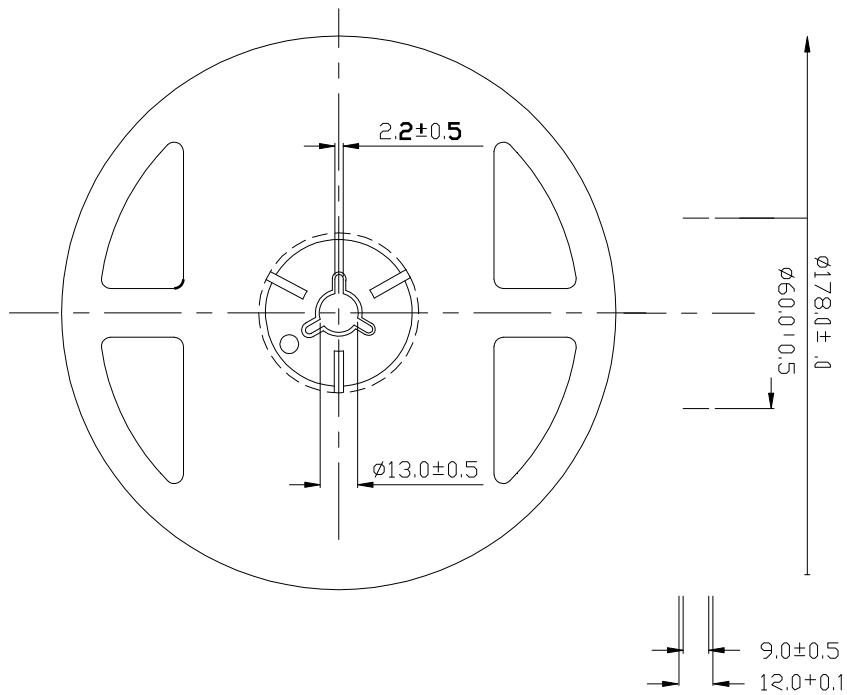


## Label Explanation

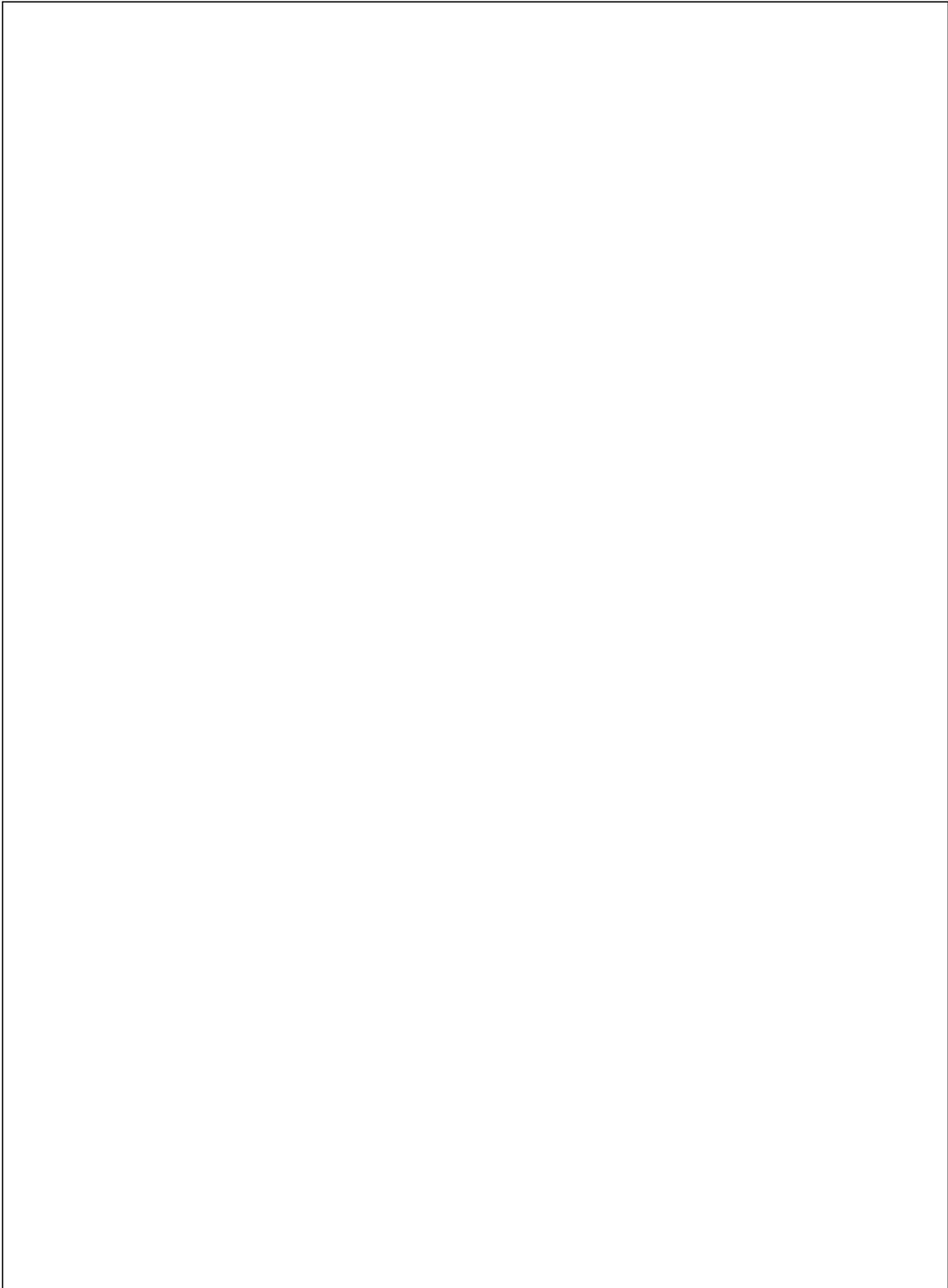


TYPE NO./	QUANTITY/
BIN./	DATE CODE/
REMARKS/	LOT NO./

## Reel Dimensions



Tolerance unless mentioned is  $\pm 0.2\text{mm}$ ; Unit = mm



--	--	--	--



