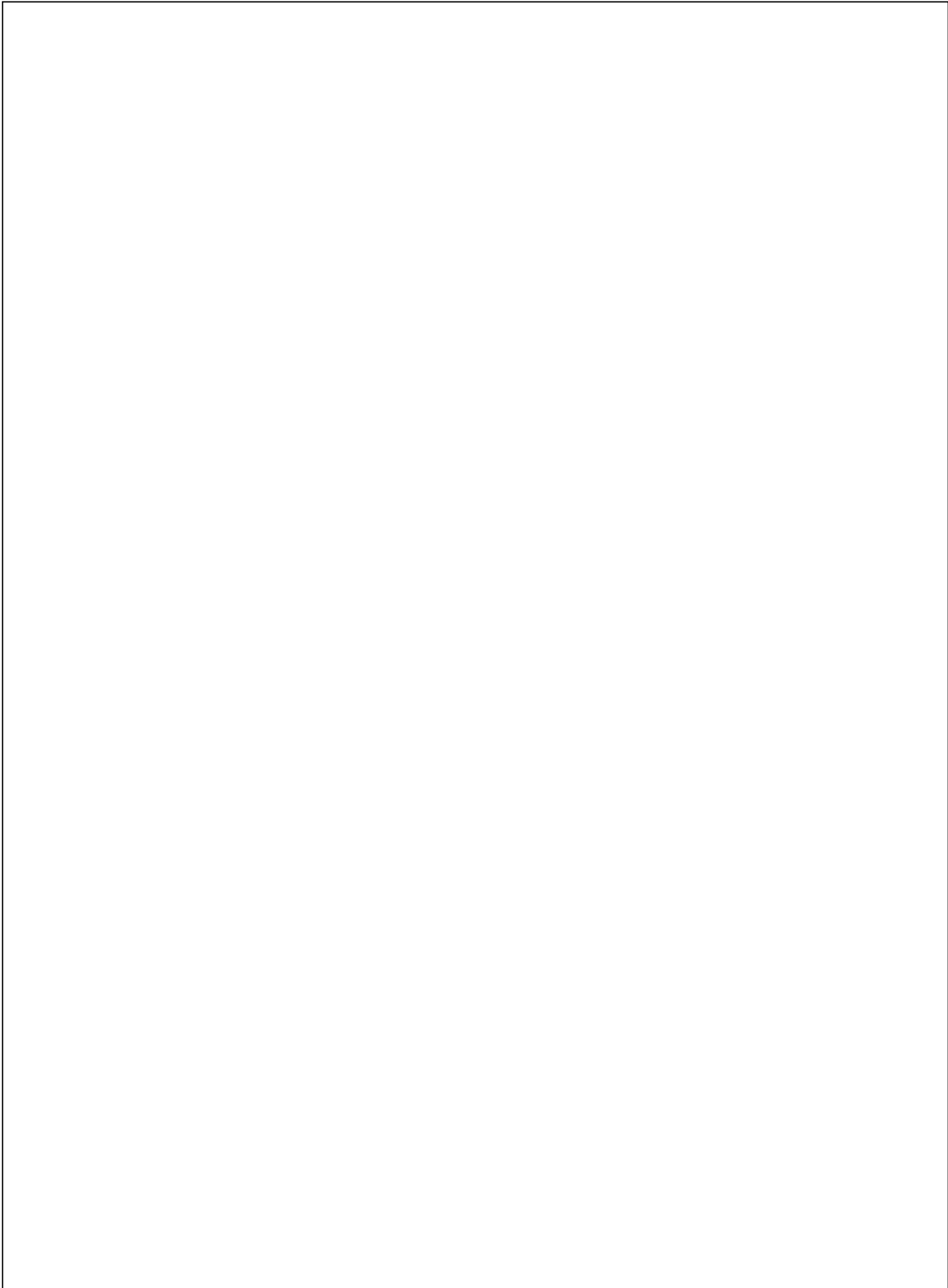


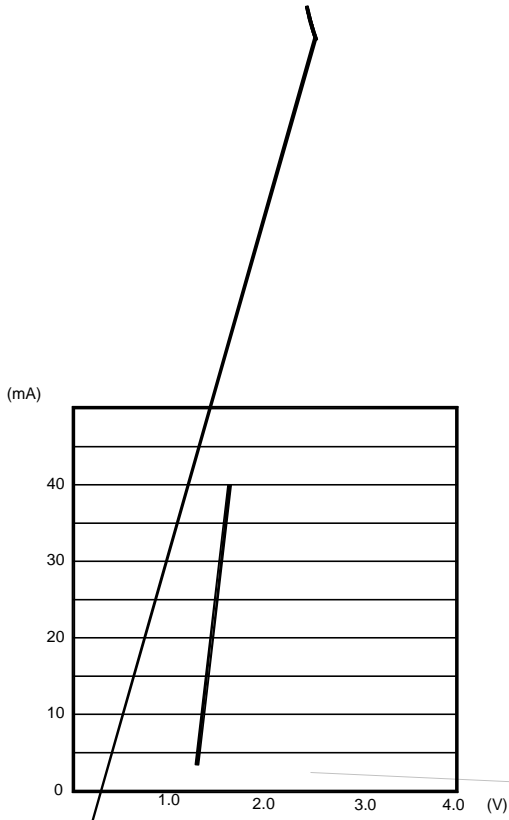
L

LIGHT ELECTRONICS CO., LTD.

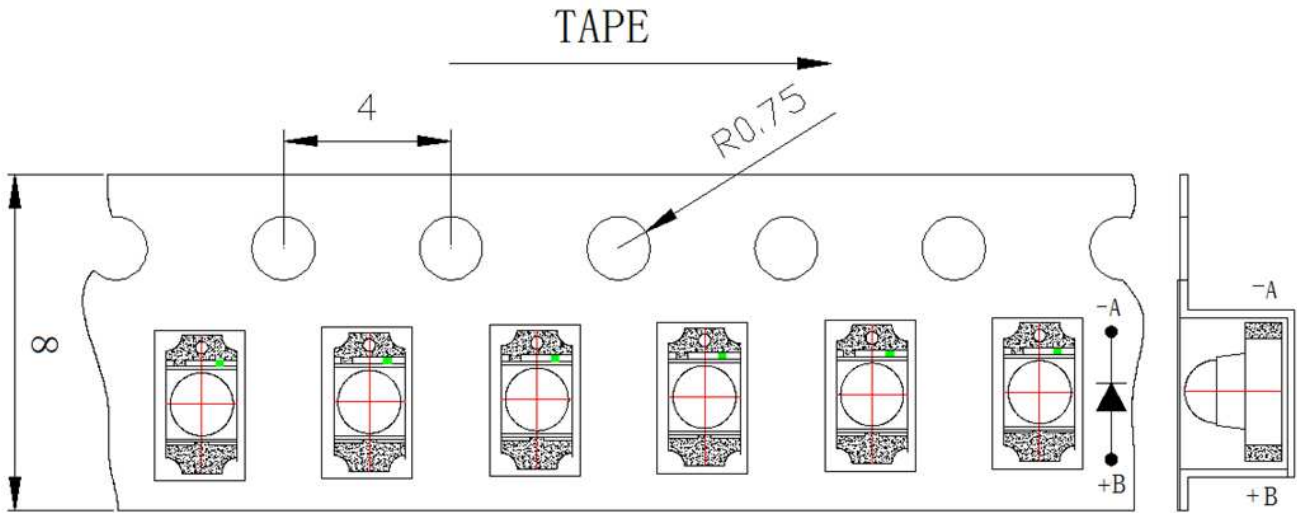




□□□□□□ □□□□□□□□ □□□□□ □□□□□□□□□□ □□□□□
(□□ □□ □□□□□□ □□□□□□ □□□□□ □□□□ □□□□□)



Carrier Tape Specifications



Moisture Resistant Packaging

